



The Model 8900 Pallet Truck

The *Raymond*[®] Model 8900 pallet truck with our exclusive *ACR System*[™] is ideal for dock work, loading and unloading trailers, and pallet moving over longer distances.

The *ACR System* uses Raymond's AC technology to deliver quicker acceleration, smoother operation, and greater energy efficiency. Full performance is maintained even as the truck gets fully loaded. You'll get more work done per battery charge, and move more pallets per hour.

The operator compartment with hydraulic-assisted steering and ergonomic controls provides the operator with superior handling and comfort. Advantages like these increase productivity throughout the work day.

The Model 8900 pallet truck facilitates traveling longer distances more quickly and comfortably, optimizing

select applications involving low lift heights and very high throughput requirements.

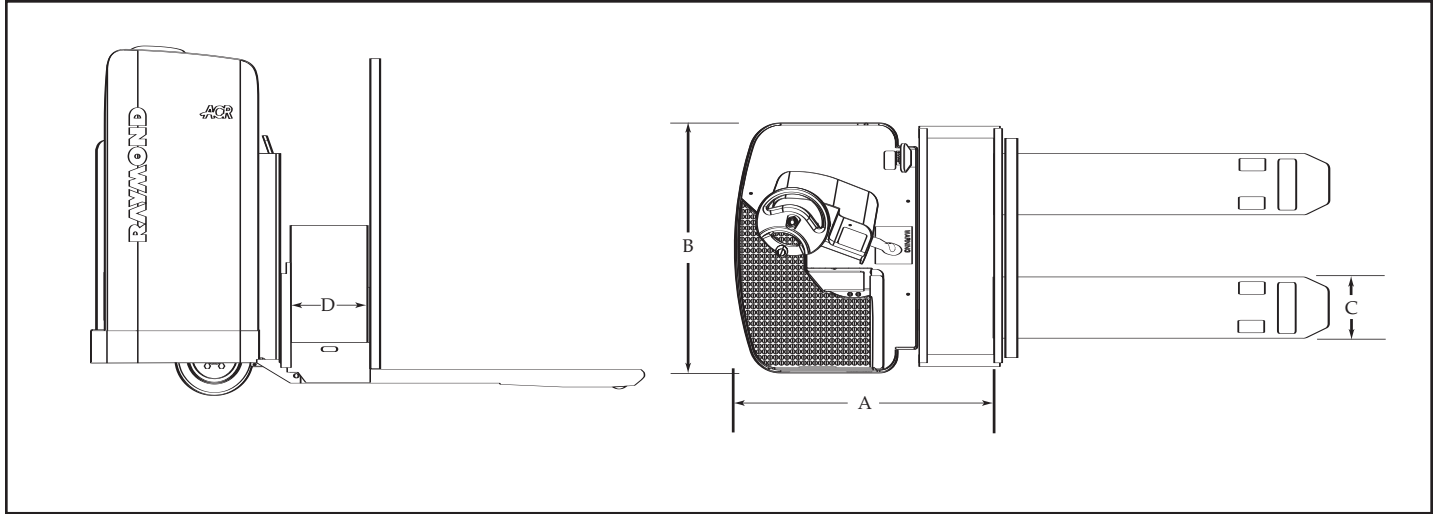
The rugged bumper is low enough to prevent pallet override and high enough to avoid dock hang-ups.

The traction motor design eliminates the need for brushes, minimizing service downtime. The separate lift, travel and steering motors provide the exact amount of torque required to perform desired functions, drawing less energy, extending motor life and extending the battery shift cycle.

RAYMOND
Above. And beyond.[®]

www.raymondcorp.com

Model 8900 Pallet Truck Specifications



Get these advantages with the Model 8900

- Powered by Raymond's *ACR System*
- Bumper high enough to avoid dock hang-ups
- Offers stable movement of pallet load
- Longer wheel life with more floor bearing surface
- Available in 6,000 lbs. or 8,000 lbs. capacity and lifts to 6"
- Easy, quick access to all components to minimize downtime
- Longer shift life, smooth acceleration and very precise operator control
- Hydraulic-assisted steering for superior handling

| DIMENSIONS AND SPECIFICATIONS | |
|--------------------------------|---|
| Capacity | 6,000 or 8,000 |
| Head length (A) | 45.3" |
| Truck width (B) | 40" |
| Truck weight w/o battery | |
| (36" forks) | 1,390 |
| (48" forks) | 1,434 |
| (84" forks) | 1,540 |
| (96" forks) | 1,610 |
| (144" forks) | 2,070 |
| Truck lifts | 6" |
| Fork width (C) | 9" (8K 10") |
| Max usable battery compartment | 31" x 13" |
| Size L x W (D) | 31" x 13.4" |
| Max battery amperes | 750 |
| Drive tire, Rubber, Diameter | 12" |
| Load tires, Poly Diameter | 3.25" |
| Turning radius with 48" forks | 82" lowered 77.9" raised |
| Travel speed loaded | |
| for 6,000 lbs. | 6.5 mph |
| for 8,000 lbs. | 6.2 mph |
| Travel speed unloaded | 9.0 mph |
| Voltage | 24 |
| Controls | Advanced Transistor Stepless Speed Control |

RAYMOND
Above. And beyond.®

The Raymond Corporation
P.O. Box 130
Greene, New York 13778-0130
Toll free 1 (800) 235-7200
Fax 1 (607) 656-9005

Due to continuous product improvements, all terms, conditions and specification are subject to change without notice. *Raymond* and *Above*, *And beyond* are registered trademarks of The Raymond Corporation.

© 2008 The Raymond Corporation, Greene, NY. Printed in USA SIFB-0144 708Ray-ELEC.

www.raymondcorp.com